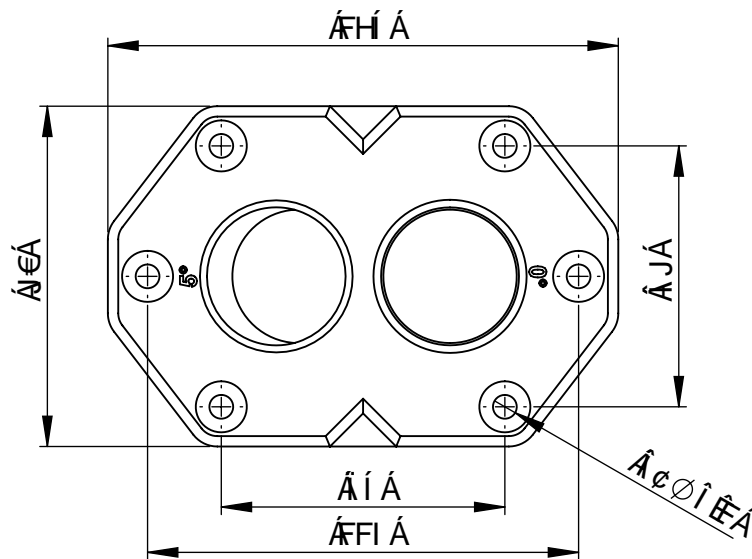
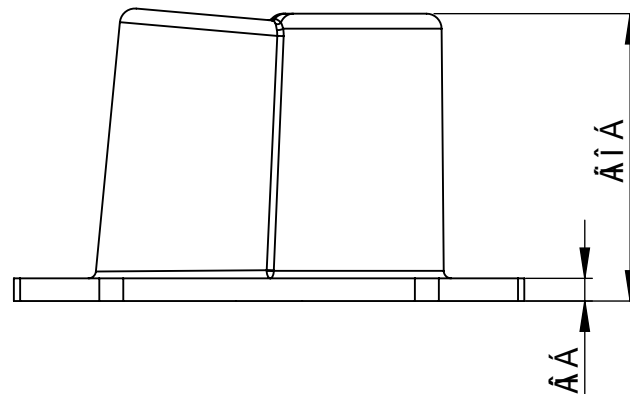
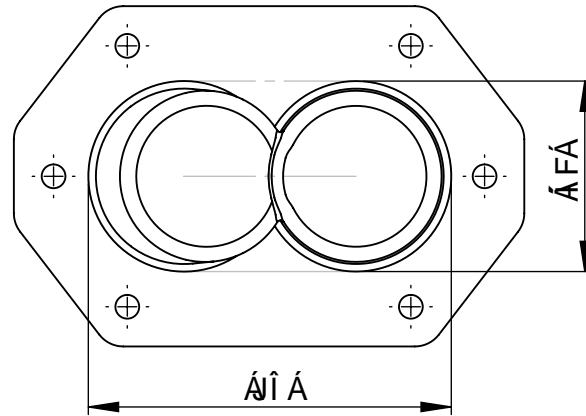


H97 < B € 7 < 9 N9 7 < BI B;
H97 < B 7 5 @ 8 F 5 K B; € B 9 G G B H97 < B € I 9 € B € I > C H97 < B 7 C



GA +8H



5XUa < U" 0Vfbja a h_Y]bY; Yk \VfcXYF < Uzi b[z0FX]Y'F]Mh[]_Y]z; YbUi]]_Y]ni bX'J c"grAbX[]_Y]nX]YgYfNY]Mbi b["
5XUa < U" UWWdhp bc fYgdcbgV]]mcf]UV]]mzf h_Y Vt ffYVibYggzUWWfUWnUbX Vta d'YfYbYgg cZA]g]'i gffU]hcb"
5XUa < U" b Uggi a Y'Ui WbY [UfUb]Y b] fYgdcbgUV]]A ei Uoh%4 U Vt bZfa]rAz U dfAV]g]cb Yh' Yi \Ui g]j]rA XY'W gWAA U"
5XUa < U" bc cZYW' [UfUb]U U' [i bU fYgdYVt: U' U'YI UW]h XzdfYV]g] b c]bY [f]XUX XY' YgtU]] gffUW] b"

5XUa < U" : a V< €BUja 'Ygfh"- €E%&* + BYi !5bgdUW; Yfa Ubm
HY": fZ(-E*\$, %#-(% \$€UI. fZ(-E*\$, %#-(% %\$\$\$€B!a U]: a U]4 UXUa \U"Vta